

FACTS | FIGURES | DATA

Diaphragm pressure gauge guard Z800 · Z801

Z800 · Z801



**ALP** Alle  
Appendages  
Leidingsystemen  
Pompen  
AALP BENELUX BV DIDAM (NL)  
www.aalp.nl - info@aalp.nl  
+31 (0)316-226266

# Z800 · Z801

## Diaphragm pressure gauge guard Z800 · Z801 diaphragm protected



Z800 PP



Z800 PVC



Z800 PVDF



Z801 PP



Z801 PVC



Z801 PVDF

### APPLICATION

The diaphragm pressure gauge guard is applicable to measure pressure of neutral and aggressive media. The pressure gauge is separated from the medium by a TFM-overlaid EPDM diaphragm. Pressure will be transmitted by a buffer fluid. The large diaphragm surface and the incompressibility of the buffer fluid allows an high accurate pressure transmission. The variety of possible materials covers a wide range of applications.

### SPECIAL FEATURES

- All medium wetted parts are made of high resistant plastic
- Pressure gauge does not has contact with the medium
- Pressure guard is maintenance-free
- Variable installation position
- Large size diaphragm surface provides high accuracy
- The unique coupling nut design impedes any torsion on the diaphragm that guarantees an high precisely pressure transmission
- The new design assures an uniform sealing pressure on the diaphragm
- Various connecting options are available by changing of the base part

### TECHNICAL DATA

Available materials	upper part and union nut in PP GF30 lower part in PP, PVC, PVDF diaphragm EPDM/TFM coated glysantine or distilled water
Buffer fluid	glysantine or distilled water
Max. operating temp.	PN 10 by 20°C (145psig by 68°F)
Pressure gauge connects	G 1/4" and G 1/2"
Connection spigot	female thread G, 1/4" / 1/2" PP, PVC, PVDF female thread NPT, 1/4" / 1/2" PP, PVC, PVDF bonded nozzle d25 / d32 in PVC IR-welded hexagon nipple d25 / d32 PP, PVDF
Pressure gauge range	Standard 0-10 bar eff. (0 – 145 psig) with R 1/4" Ø63 mm (2-3/8") with R 1/2" Ø100 mm, (4") others on request
Accuracy	Standard class 1,6

## PART LIST

Item	Description
1	Lower part (PP, PVC and PVDF)
2	Union nut
3	EPDM/TFM coated diaphragm
4	Upper part
5	Pressure gauge sealing
6	Pressure gauge

We reserve the right to make changes

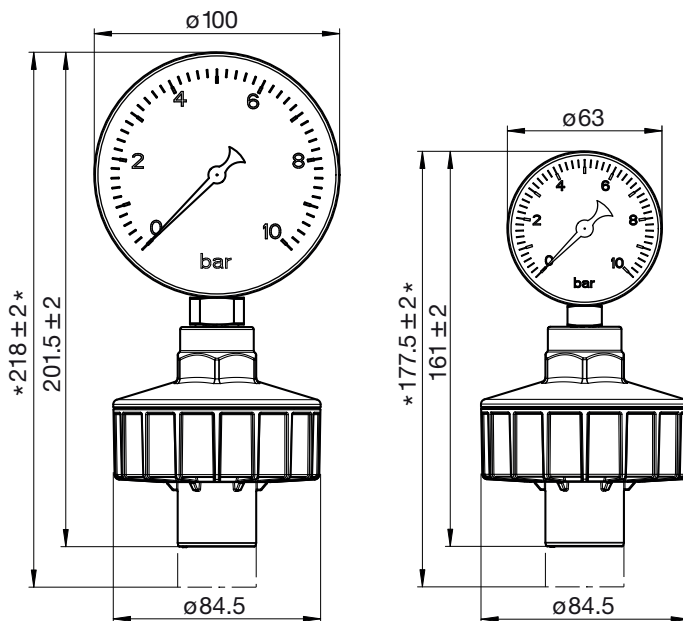
### Filling the buffer fluid

- Upper body (Item 4) of the pressure gauge guard Z800/Z801-fill preferably with Glysantine, or distilled water up to the lower edge of the threaded socket.
- Move smoothly (up and down) the diaphragm from below using a blunt object until no more air bubbles appear
- Screw in the pressure gauge
- If the pressure gauge already display a pressure, some buffer fluid has to be removed until there is no pressure displayed

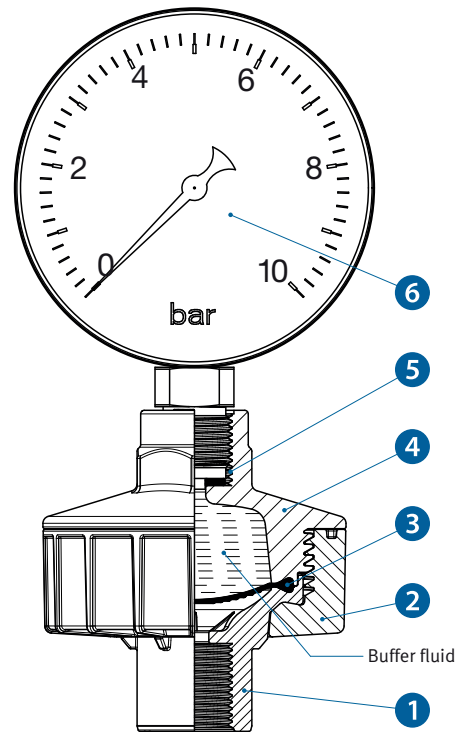
### Installing instructions

We recommend to install the pressure gauge guard in a vertical position with a previous screwed connection and a shut-off-device. This ensures that the pressure gauge can be brought into the desired read-off position and an easy replacement is possible.

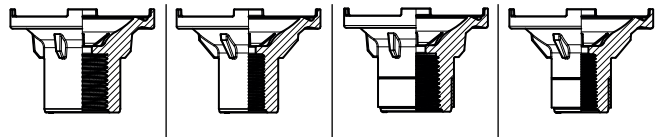
Various pressure gauges are as option available.



The technical data is non-binding. It is not to be regarded as representing assured properties or as a guarantee of quality or durability. We reserve the right to make changes. Our general terms of sale apply.

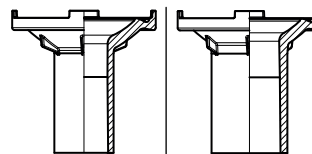


### THREADED FEMALE CONNECTIONS



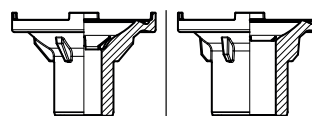
G1/2"	G1/4"	NPT1/2"	NPT1/4"
PP	PP	PP	PP
PVC	PVC	PVC	PVC
PVDF	PVDF	PVDF	PVDF

### FUSION SPIGOT



d25	d32
PP	PP
PVDF	PVDF

### ADHESIVE SPIGOT



d25	d32
PVC	PVC

### DIAPHRAGM PRESSURE GAUGE GUARD Z801 (WITHOUT PRESSURE GAUGE)

PVC		PP		PVDF	
	Article no.		Article no.		Article no.
Z801 PVC G1/4" G1/4"	17.801.101	Z801 PP G1/4" G1/4"	17.801.201	Z801 PVDF G1/4" G1/4"	17.801.301
Z801 PVC G1/4" G1/2"	17.801.102	Z801 PP G1/4" G1/2"	17.801.202	Z801 PVDF G1/4" G1/2"	17.801.302
Z801 PVC G1/4" NPT1/4"	17.801.103	Z801 PP G1/4" NPT1/4"	17.801.203	Z801 PVDF G1/4" NPT1/4"	17.801.303
Z801 PVC G1/4" NPT1/2"	17.801.104	Z801 PP G1/4" NPT1/2"	17.801.204	Z801 PVDF G1/4" NPT1/2"	17.801.304
Z801 PVC G1/4" d25	17.801.105	Z801 PP G1/4" IR d25	17.801.205	Z801 PVDF G1/4" IR d25	17.801.305
Z801 PVC G1/4" d32	17.801.106	Z801 PP G1/4" IR d32	17.801.206	Z801 PVDF G1/4" IR d32	17.801.306
Z801 PVC G1/2" G1/4"	17.801.150	Z801 PP G1/2" G1/4"	17.801.250	Z801 PVDF G1/2" G1/4"	17.801.350
Z801 PVC G1/2" G1/2"	17.801.151	Z801 PP G1/2" G1/2"	17.801.251	Z801 PVDF G1/2" G1/2"	17.801.351
Z801 PVC G1/2" NPT1/4"	17.801.152	Z801 PP G1/2" NPT1/4"	17.801.252	Z801 PVDF G1/2" NPT1/4"	17.801.352
Z801 PVC G1/2" NPT1/2"	17.801.153	Z801 PP G1/2" NPT1/2"	17.801.253	Z801 PVDF G1/2" NPT1/2"	17.801.353
Z801 PVC G1/2" d25	17.801.154	Z801 PP G1/2" IR d25	17.801.254	Z801 PVDF G1/2" IR d25	17.801.354
Z801 PVC G1/2" d32	17.801.155	Z801 PP G1/2" IR d32	17.801.255	Z801 PVDF G1/2" IR d32	17.801.355

### DIAPHRAGM PRESSURE GAUGE GUARD Z800 (WITH PRESSURE GAUGE)

PVC		PP		PVDF	
	Article no.		Article no.		Article no.
Z800 PVC G1/4" G1/4" 0-10	17.800.101	Z800 PP G1/4" G1/4" 0-10	17.800.201	Z800 PVDF G1/4" G1/4" 0-10	17.800.301
Z800 PVC G1/4" G1/4" 0-6	17.800.102	Z800 PP G1/4" G1/4" 0-6	17.800.202	Z800 PVDF G1/4" G1/4" 0-6	17.800.302
Z800 PVC G1/4" G1/2" 0-10	17.800.103	Z800 PP G1/4" G1/2" 0-10	17.800.203	Z800 PVDF G1/4" G1/2" 0-10	17.800.303
Z800 PVC G1/4" G1/2" 0-6	17.800.104	Z800 PP G1/4" G1/2" 0-6	17.800.204	Z800 PVDF G1/4" G1/2" 0-6	17.800.304
Z800 PVC G1/4" NPT1/4" 0-10	17.800.105	Z800 PP G1/4" NPT1/4" 0-10	17.800.205	Z800 PVDF G1/4" NPT1/4" 0-10	17.800.305
Z800 PVC G1/4" NPT1/4" 0-6	17.800.106	Z800 PP G1/4" NPT1/4" 0-6	17.800.206	Z800 PVDF G1/4" NPT1/4" 0-6	17.800.306
Z800 PVC G1/4" NPT1/2" 0-10	17.800.107	Z800 PP G1/4" NPT1/2" 0-10	17.800.207	Z800 PVDF G1/4" NPT1/2" 0-10	17.800.307
Z800 PVC G1/4" NPT1/2" 0-6	17.800.108	Z800 PP G1/4" NPT1/2" 0-6	17.800.208	Z800 PVDF G1/4" NPT1/2" 0-6	17.800.308
Z800 PVC G1/4" d25 0-10	17.800.109	Z800 PP G1/4" IR d25 0-10	17.800.209	Z800 PVDF G1/4" IR d25 0-10	17.800.309
Z800 PVC G1/4" d25 0-6	17.800.110	Z800 PP G1/4" IR d25 0-6	17.800.210	Z800 PVDF G1/4" IR d25 0-6	17.800.310
Z800 PVC G1/4" d32 0-10	17.800.111	Z800 PP G1/4" IR d32 0-10	17.800.211	Z800 PVDF G1/4" IR d32 0-10	17.800.311
Z800 PVC G1/4" d32 0-6	17.800.112	Z800 PP G1/4" IR d32 0-6	17.800.212	Z800 PVDF G1/4" IR d32 0-6	17.800.312
Z800 PVC G1/2" G1/4" 0-10	17.800.150	Z800 PP G1/2" G1/4" 0-10	17.800.250	Z800 PVDF G1/2" G1/4" 0-10	17.800.350
Z800 PVC G1/2" G1/4" 0-6	17.800.151	Z800 PP G1/2" G1/4" 0-6	17.800.251	Z800 PVDF G1/2" G1/4" 0-6	17.800.351
Z800 PVC G1/2" G1/2" 0-10	17.800.152	Z800 PP G1/2" G1/2" 0-10	17.800.252	Z800 PVDF G1/2" G1/2" 0-10	17.800.352
Z800 PVC G1/2" G1/2" 0-6	17.800.153	Z800 PP G1/2" G1/2" 0-6	17.800.253	Z800 PVDF G1/2" G1/2" 0-6	17.800.353
Z800 PVC G1/2" NPT1/4" 0-10	17.800.154	Z800 PP G1/2" NPT1/4" 0-10	17.800.254	Z800 PVDF G1/2" NPT1/4" 0-10	17.800.354
Z800 PVC G1/2" NPT1/4" 0-6	17.800.155	Z800 PP G1/2" NPT1/4" 0-6	17.800.255	Z800 PVDF G1/2" NPT1/4" 0-6	17.800.355
Z800 PVC G1/2" NPT1/2" 0-10	17.800.156	Z800 PP G1/2" NPT1/2" 0-10	17.800.256	Z800 PVDF G1/2" NPT1/2" 0-10	17.800.356
Z800 PVC G1/2" NPT1/2" 0-6	17.800.157	Z800 PP G1/2" NPT1/2" 0-6	17.800.257	Z800 PVDF G1/2" NPT1/2" 0-6	17.800.357
Z800 PVC G1/2" d25 0-10	17.800.158	Z800 PP G1/2" IR d25 0-10	17.800.258	Z800 PVDF G1/2" IR d25 0-10	17.800.358
Z800 PVC G1/2" d25 0-6	17.800.159	Z800 PP G1/2" IR d25 0-6	17.800.259	Z800 PVDF G1/2" IR d25 0-6	17.800.359
Z800 PVC G1/2" d32 0-10	17.800.160	Z800 PP G1/2" IR d32 0-10	17.800.260	Z800 PVDF G1/2" IR d32 0-10	17.800.360
Z800 PVC G1/2" d32 0-6	17.800.161	Z800 PP G1/2" IR d32 0-6	17.800.261	Z800 PVDF G1/2" IR d32 0-6	17.800.361

# Z800.7801

## Diaphragm pressure gauge guard

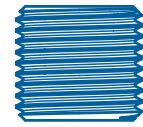
Pressure gauge



Pressure gauge sealing 1/4"



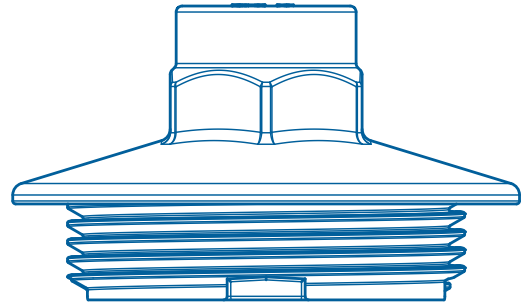
Thread reduction G1/2"-G1/4"



Pressure gauge sealing 1/2"



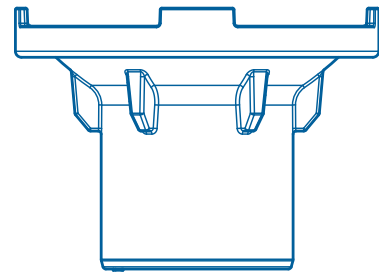
Upper part



Diaphragm



Lower part



Union nut

